

Figure 56. Ra

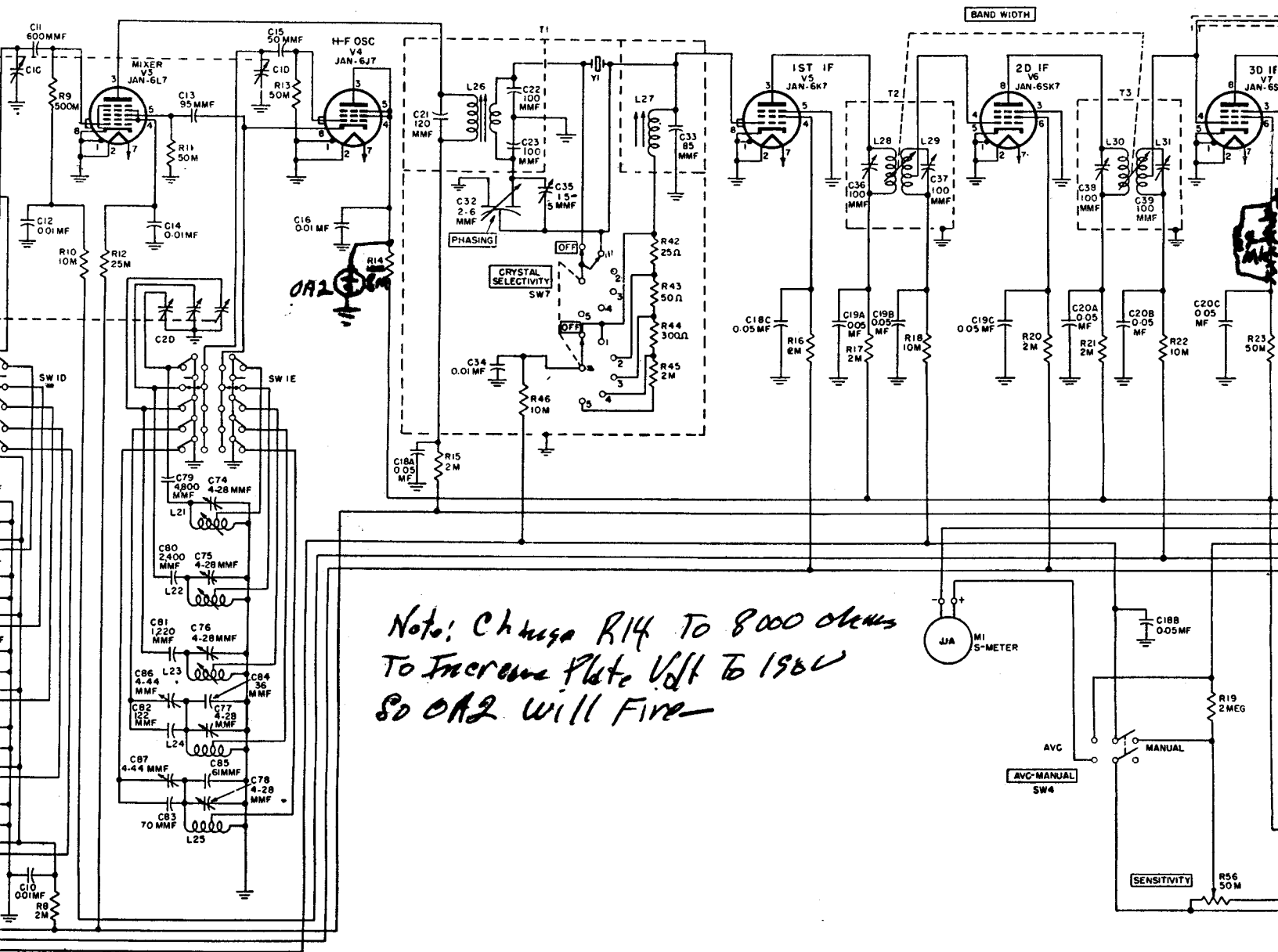


Figure 56. Radio Receiver, BC-779-A, -B, schematic diagram.

Note: Connections + Components To Be Put In For Product Detector And To Stabilize use. (CP Oct 62)

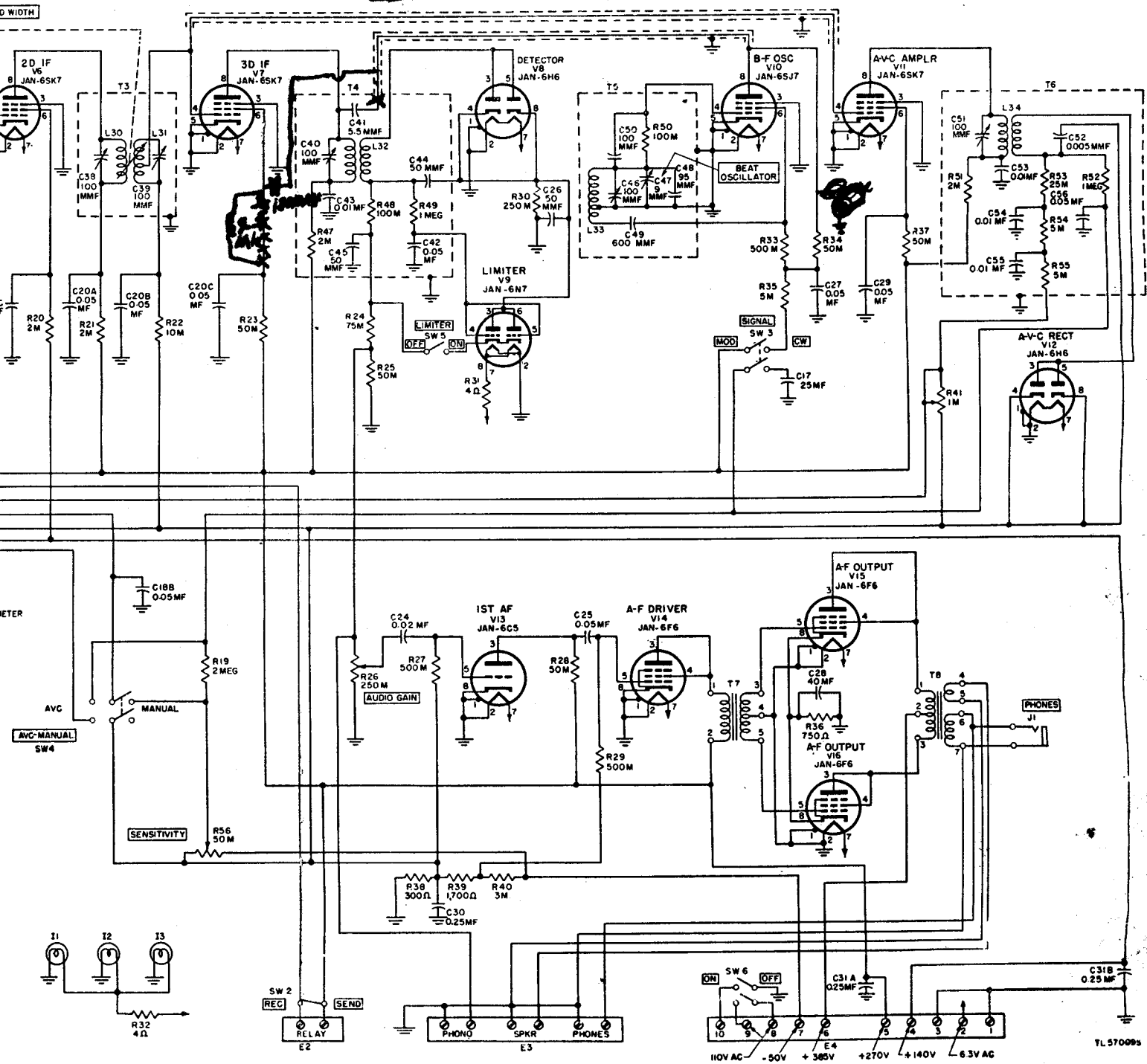


Diagram.

TL 57009s

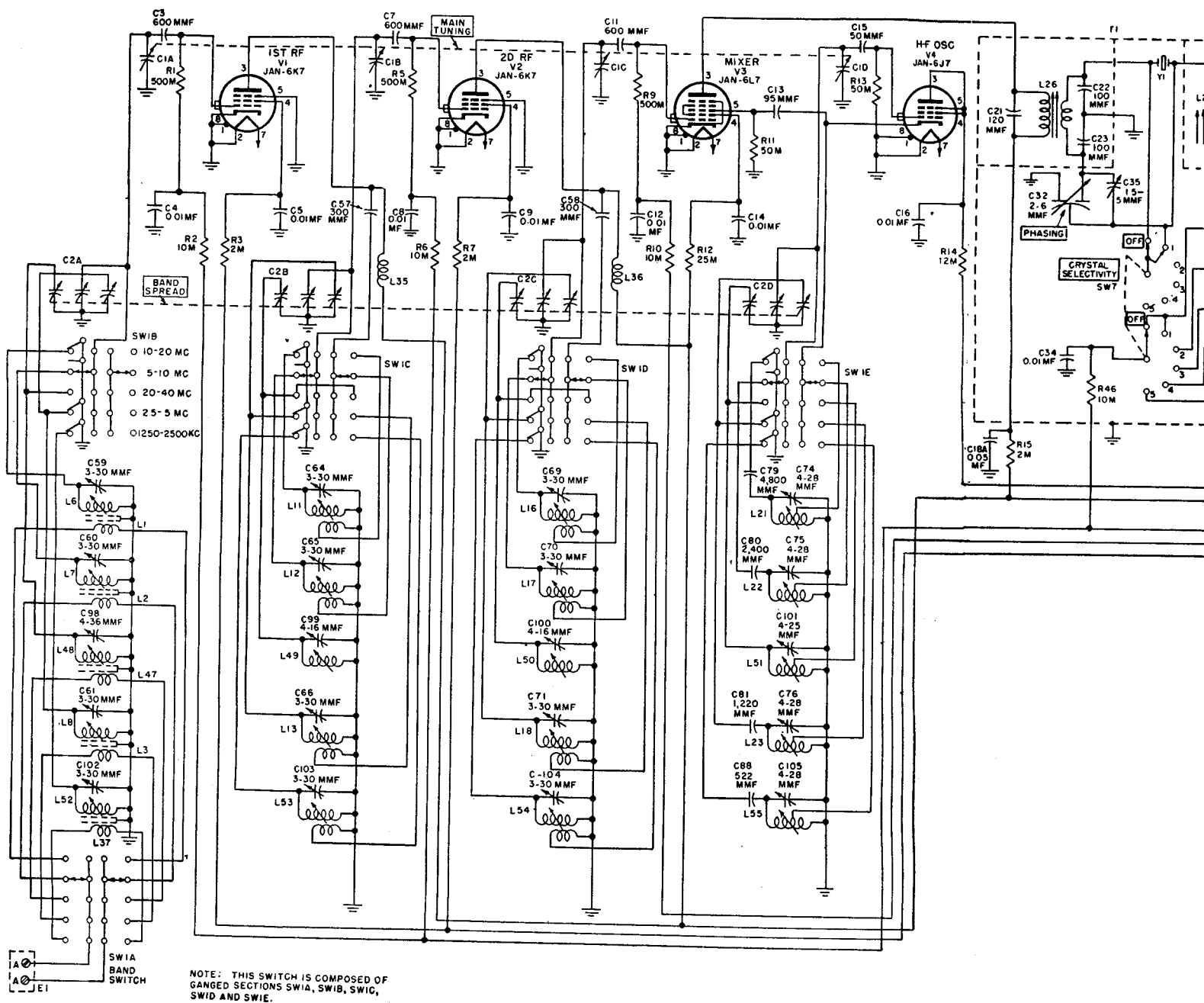


Figure 57.

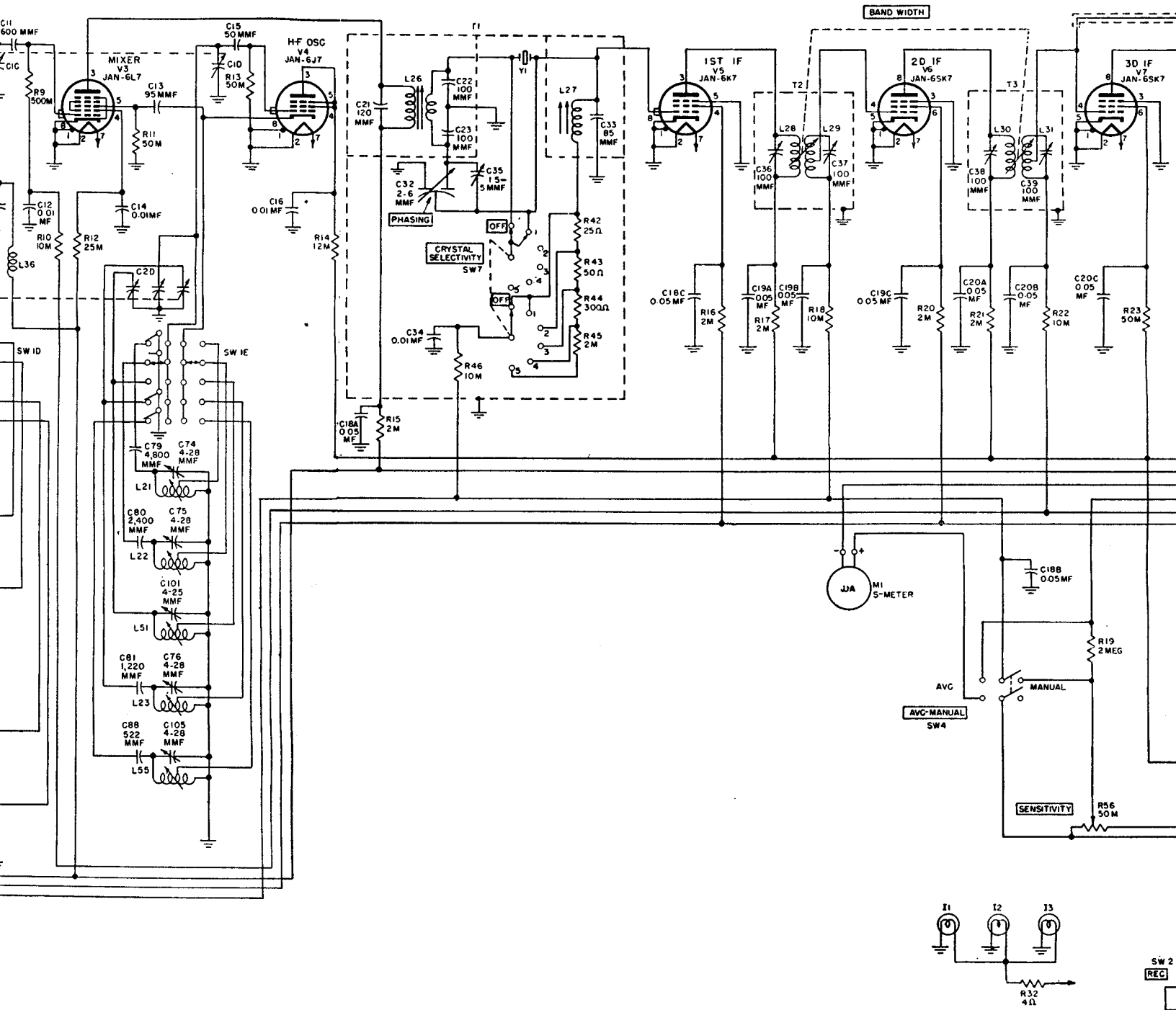
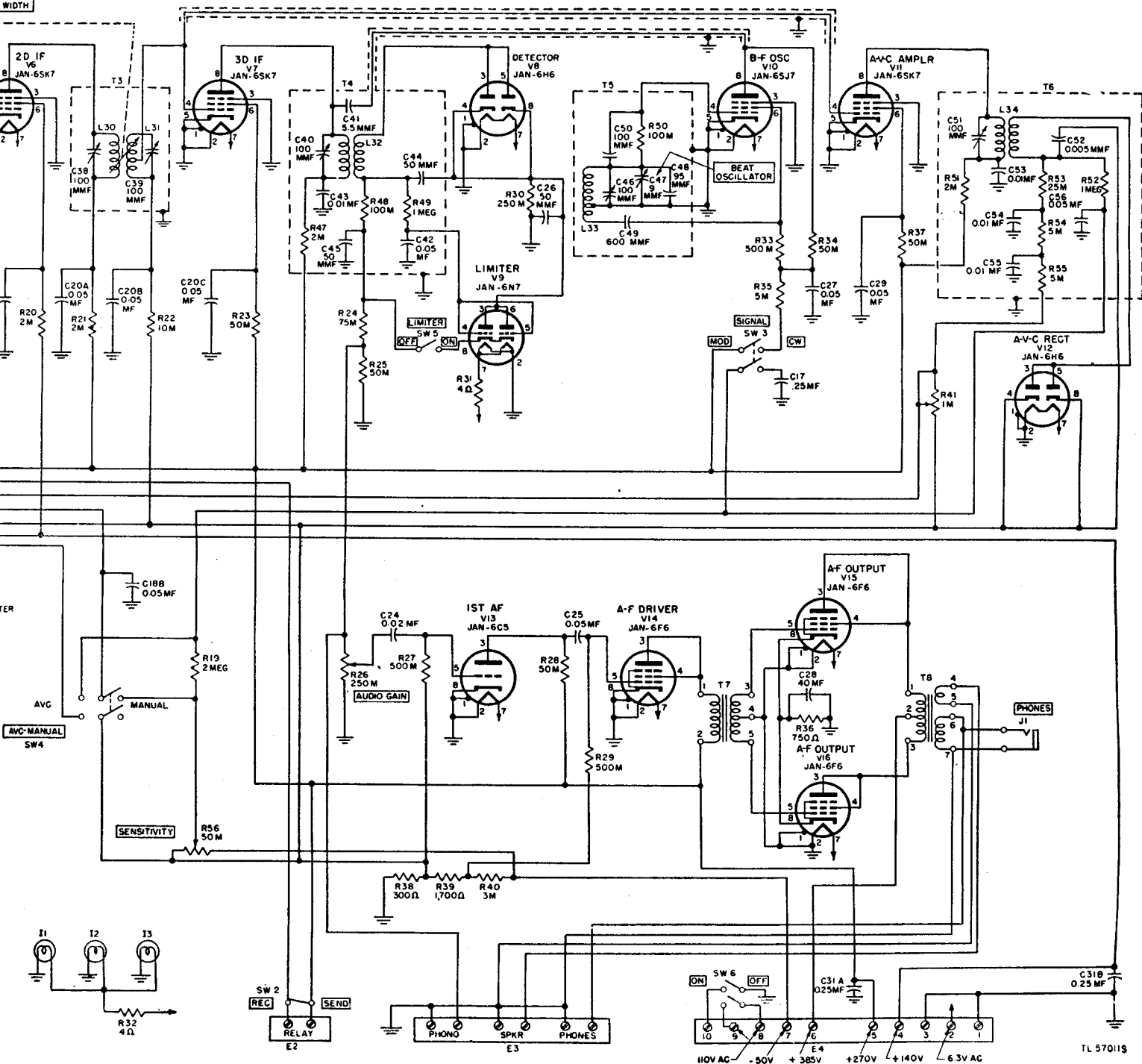


Figure 57. Radio Receiver BC-794-A, -B, schematic diagram.

WIDTH



TL 570115

Diagram.

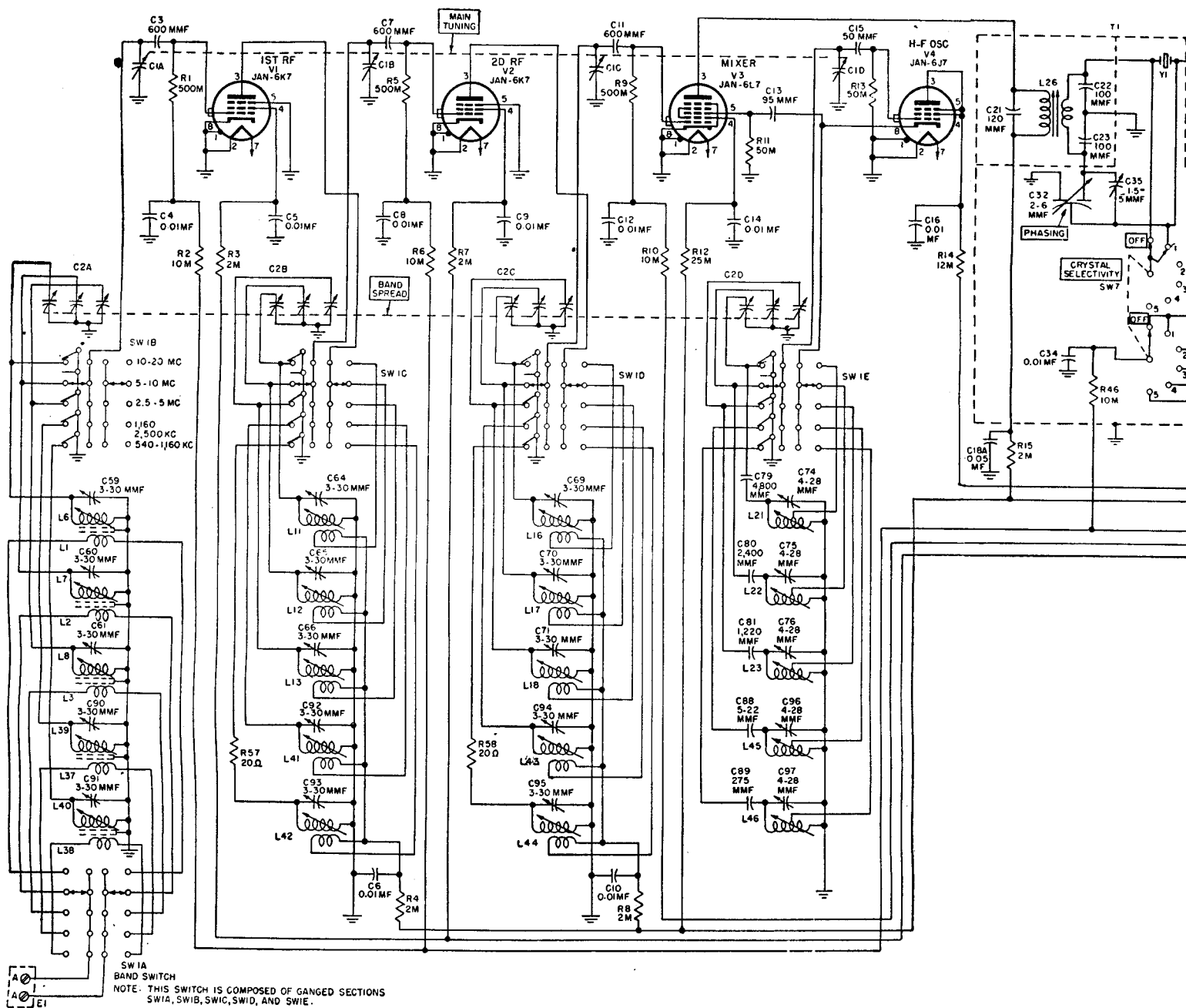


Figure 5

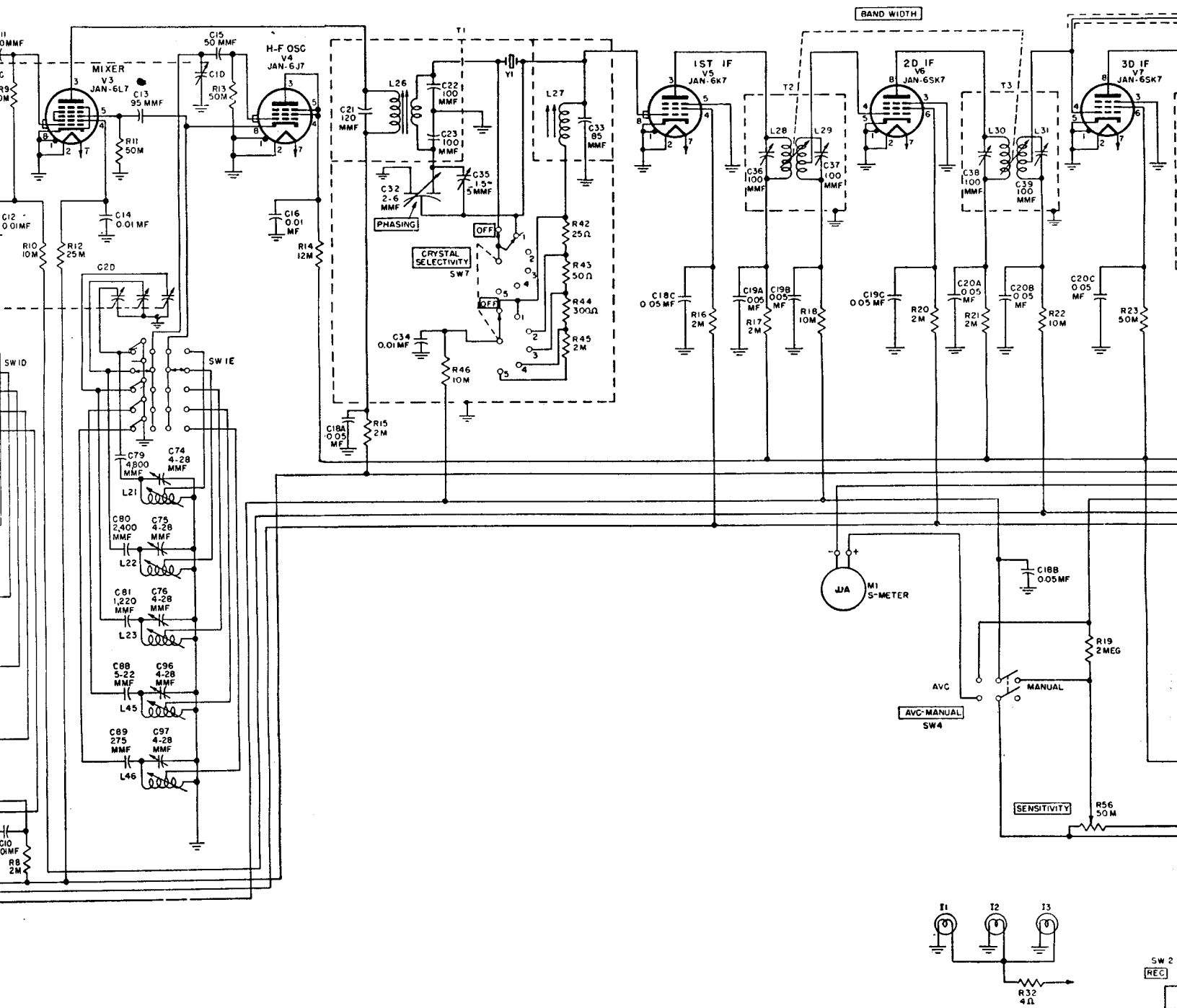
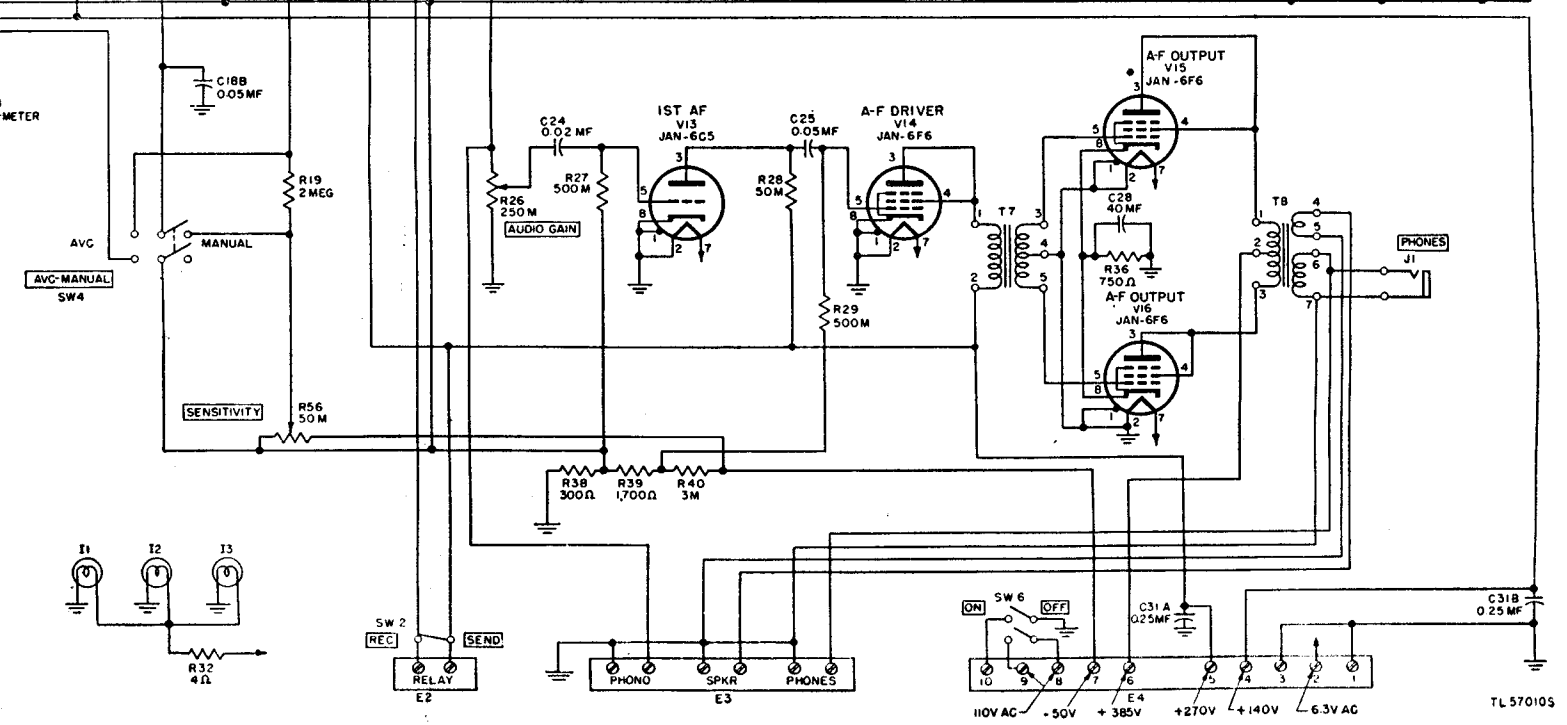
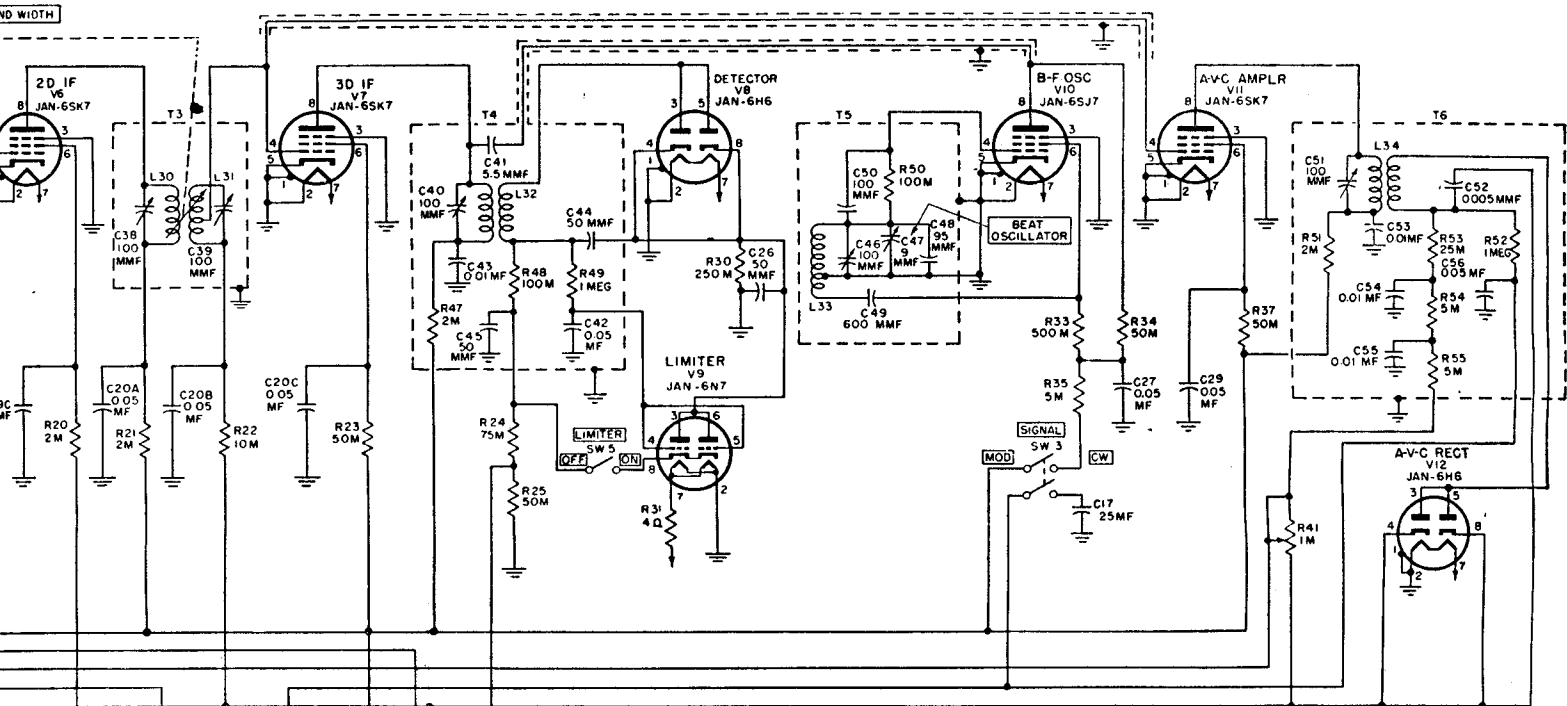


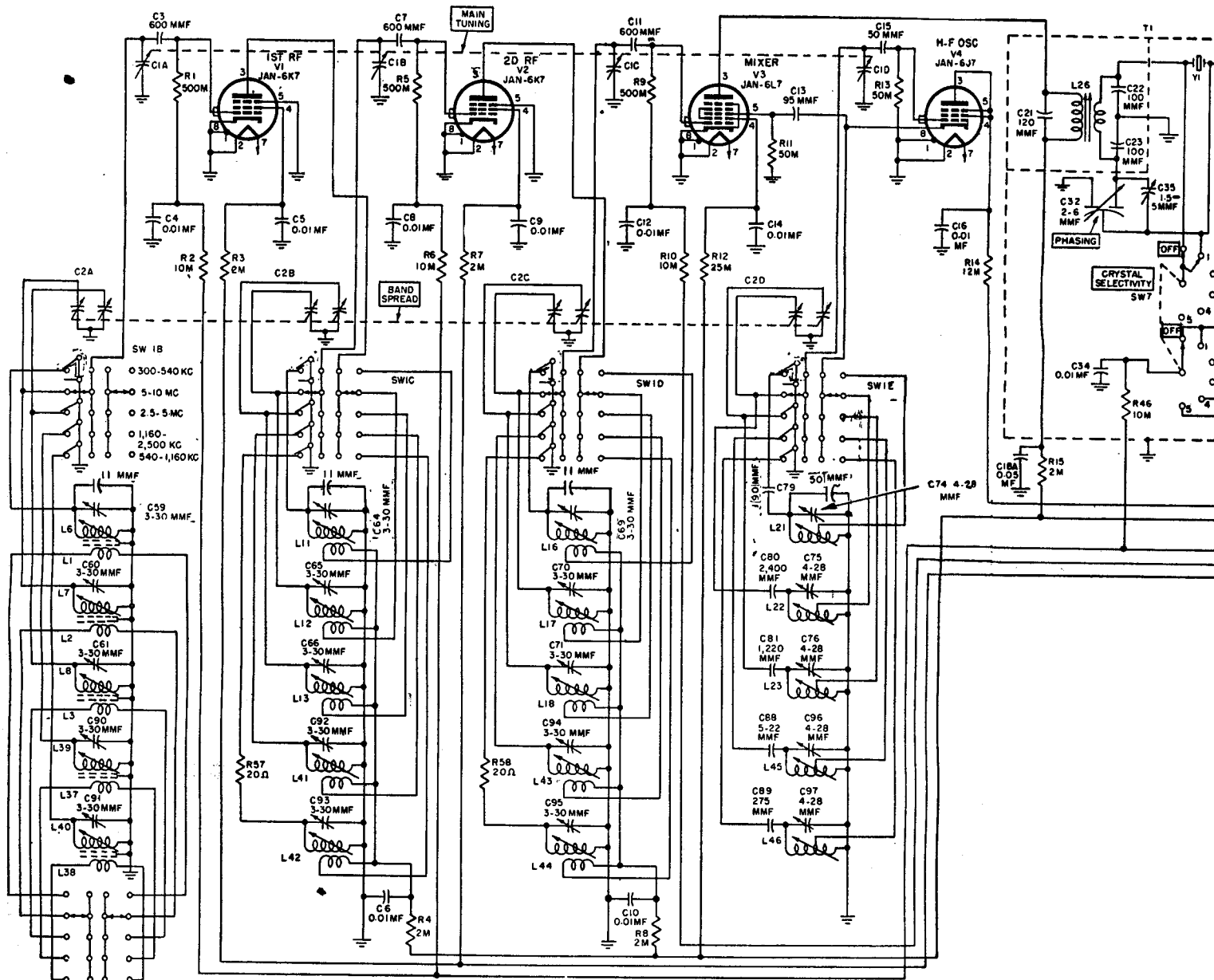
Figure 58. Radio Receiver BC-1004-B, -C, schematic diagram.

ND WIDTH



TL 570105

c diagram.



SWIA
BAND SWITCH
NOTE: THIS SWITCH IS COMPOSED OF GANGED SECTIONS
SWIA, SWIB, SWIC, SWID, AND SWIE.

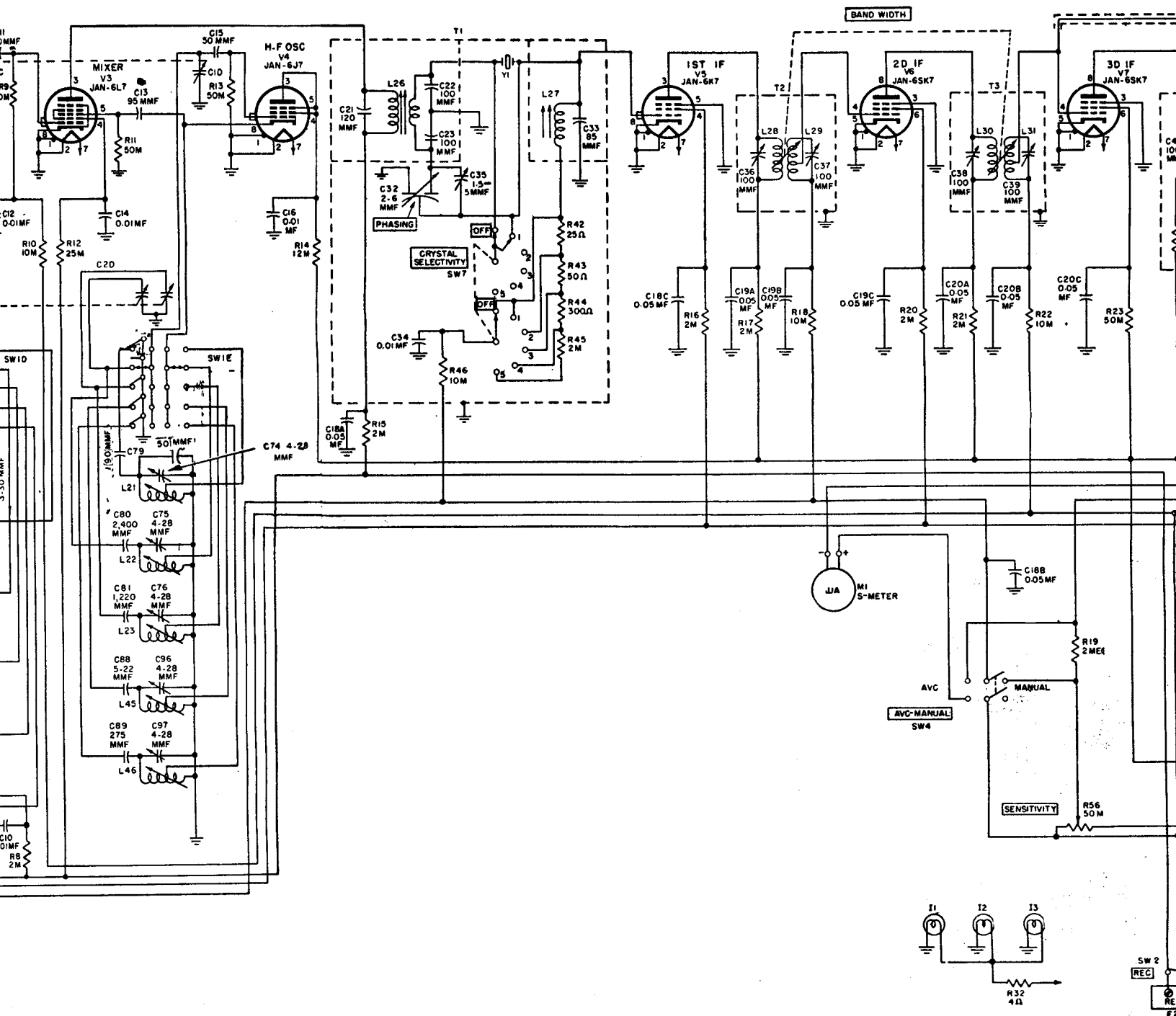
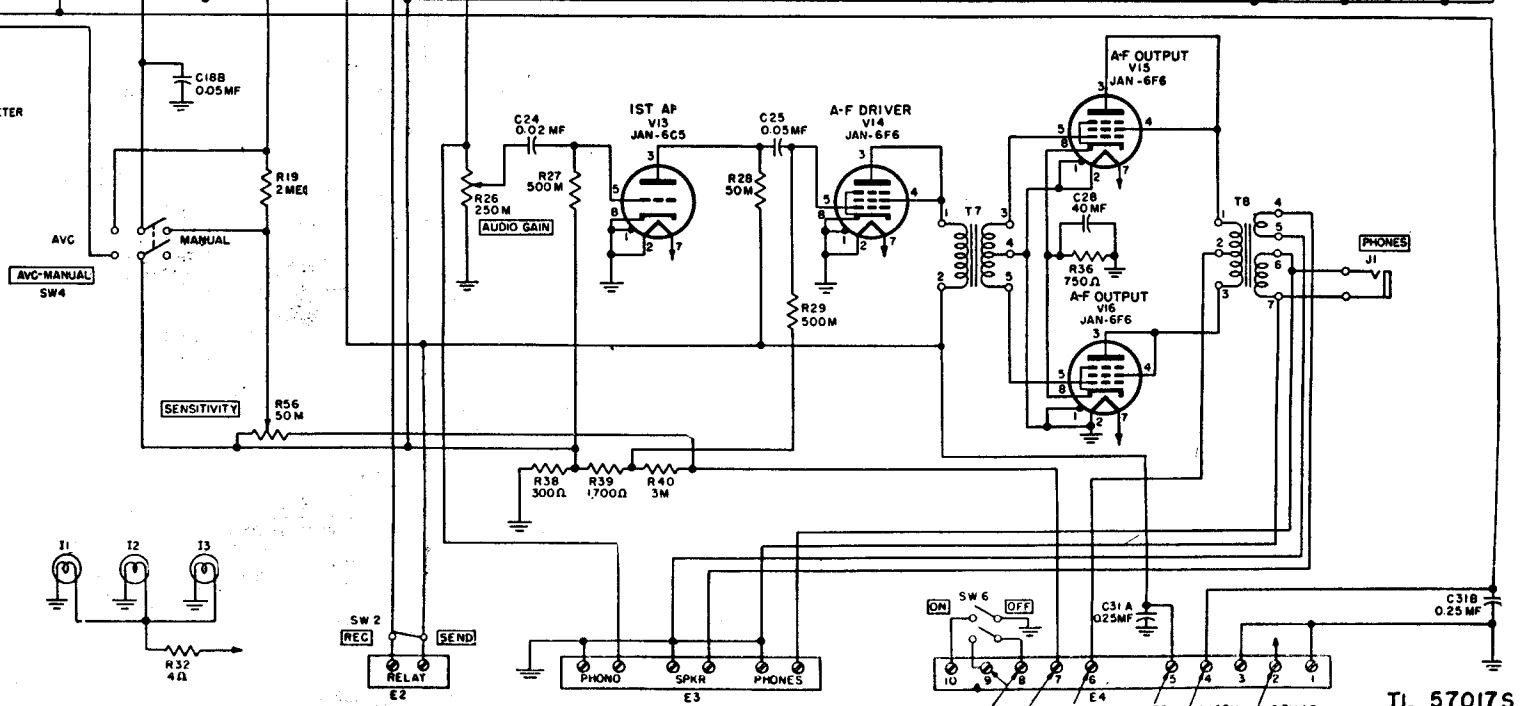
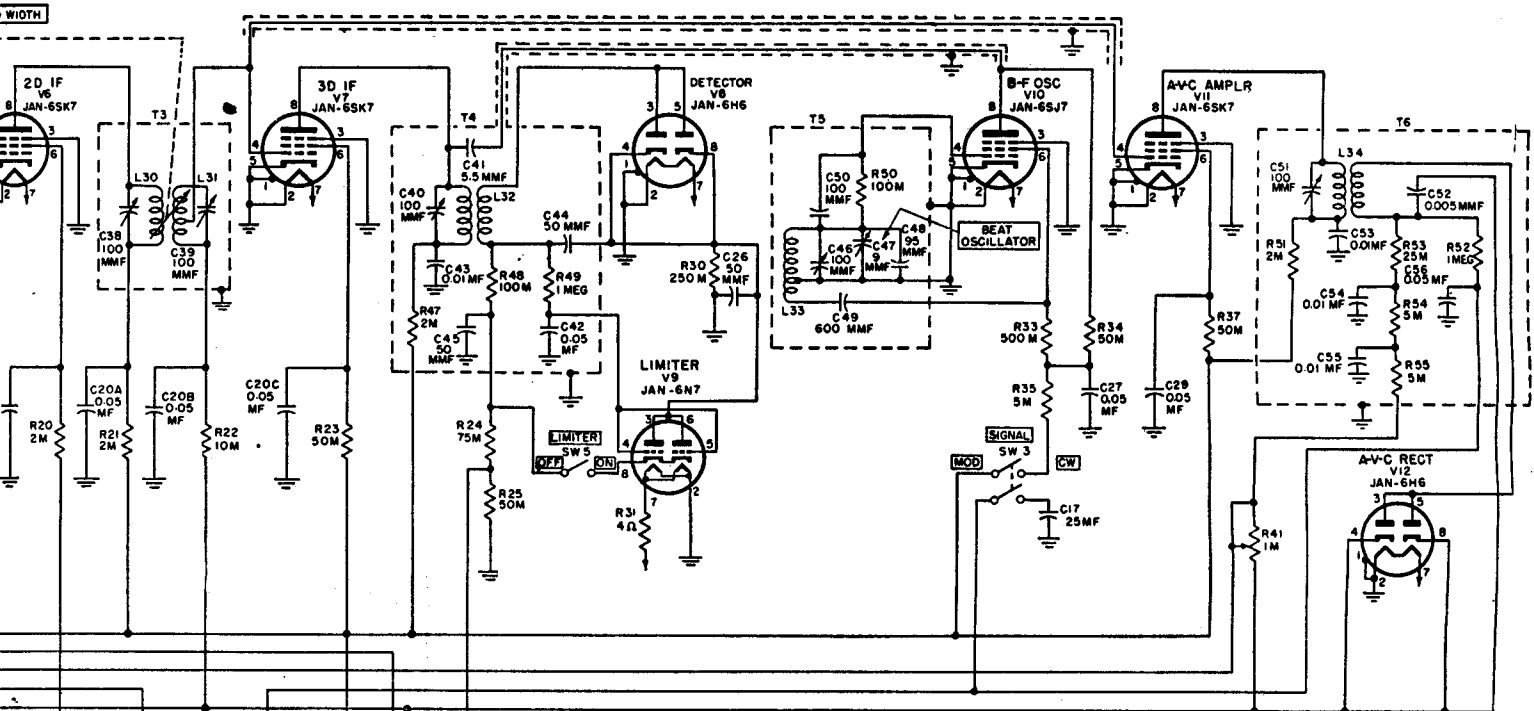


Figure 59. Radio Receiver R-129/U, schematic diagram.



110V AC - 50V + 385V +270V +140V 6.3V AC TL 57017S